

ELMARK[®]

The Brand of Electricity

LED FLOODLIGHT

HELIOS SMD WITH SENSOR

GENERAL INFORMATION »



- ∴ Rated voltage: 176-264V/ 50-60Hz
- ∴ Power: 20W; 30W; 50W
- ∴ LED driver: mounting in the body
- ∴ Colour temperature: 5000-5500K
- ∴ LED source: Epistar SMD2835
- ∴ Colour: Black
- ∴ Body: Aluminium casting
- ∴ Beam angle: 120°
- ∴ Colour rendering index: Ra > 70
- ∴ Average lifetime: 15 000h
- ∴ Ambient temperature: -20°C ÷ +55°C
- ∴ Protection against dust and moisture: IP65
- ∴ Available in variant with an emergency kit

Sensor:

- ∴ Detection Range: 110°
- ∴ Detection Distance: MAX 8m (adjustable)
- ∴ Ambient Light: 2-1000 lux (adjustable)
- ∴ Detection Motion Speed: 0.6-1.5m/s;



FEATURES »

- ∴ Efficient replacement of traditional halogen and metal-halide floodlights
- ∴ Wide distribution of even and stable light
- ∴ Economic - low power consumption
- ∴ Repeated switch on/off does not affect the fixture lifespan
- ∴ Instant light at maximum luminous flux
- ∴ Environmentally friendly - no mercury and lead
- ∴ No ultraviolet and infrared rays
- ∴ Resistant to shock and vibration stable body
- ∴ Voltage supply fluctuations do not affect the normal operation of the floodlights

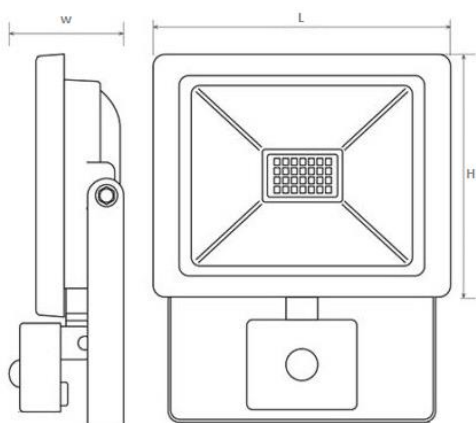
APPLICATION »

- ∴ Sports halls
- ∴ Commercial areas
- ∴ Warehouses
- ∴ Production facilities
- ∴ Squares
- ∴ Parking lots

PRODUCT DETAILS »

Catalogue number	Catalogue number with Emergency kit	Watt (W)	Whole fixture lumens (lm)	Colour temp (K)	Colour body
98HELIOS20SEN	-	20	1600	5000-5500	black
98HELIOS30SEN	98HELIOS30SENE	30	2400	5000-5500	black
98HELIOS50SEN	98HELIOS50SENE	50	4000	5000-5500	black

DIMENSIONS »



Model	Length (mm)	Width (mm)	Height (mm)
98HELIOS20SEN	134	35	109
98HELIOS30SEN	173	35	136
98HELIOS50SEN	210	35	163

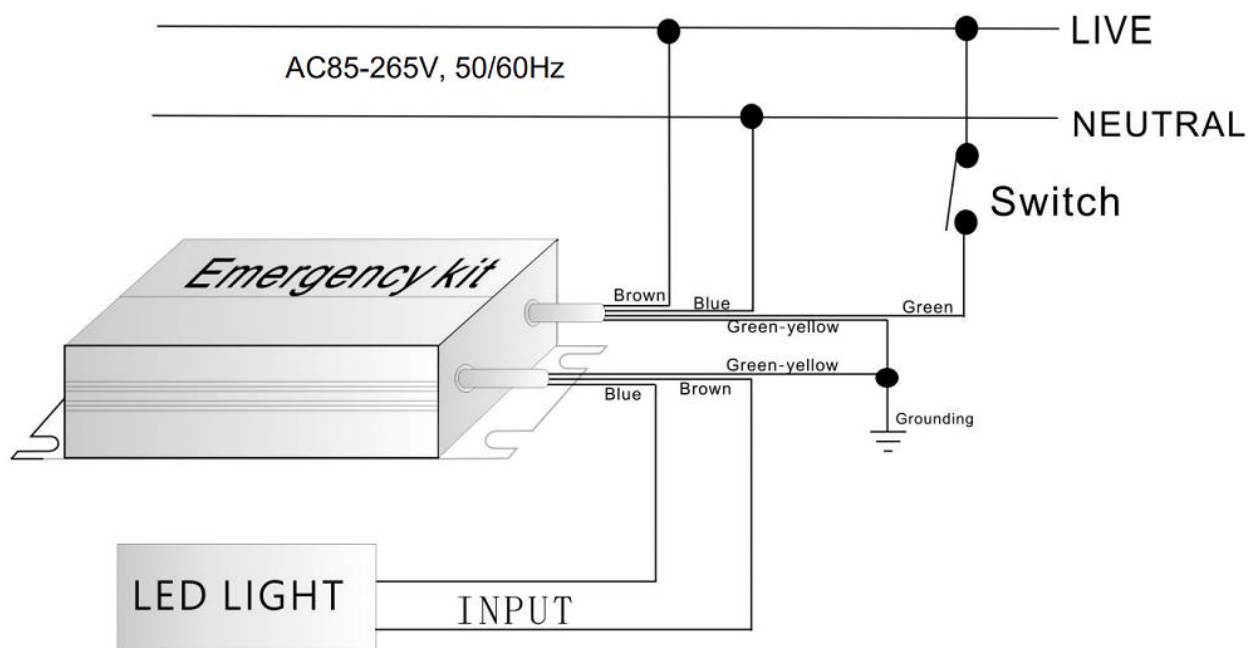
EMERGENCY DRIVER SPECIFICATIONS »



Technical data:

- ∴ Input voltage: 85-265V AC
- ∴ Battery: 18.5V 8800mAh
- ∴ Emergency switch time: <5s
- ∴ Suitable: for LED lamp with internal driver and power 20-100W
- ∴ Emergency time: 60-120min
- ∴ Working temperature: from -10 to +50°C
- ∴ Size: 290x105x50mm
- ∴ IP44

Wiring diagram:



INSTALLATION ACCESSORIES »

Terminal box IP44

- ∴ Material: PC
- ∴ Voltage: 450V
- ∴ Rated current: 6A
- ∴ Wiring Capacity: 0.5-4.0mm²
- ∴ Cat. Number: **31071**



Terminal box IP65

- ∴ Material: Polypropylene 94-V2 grade
- ∴ Sunscreen Rating: Sun Protection(UV)
- ∴ Voltage: 450V
- ∴ Rated current: 10A
- ∴ Terminal Blocks: 3p screw type
- ∴ Metal Part: Plated Brass/Steel Spring
- ∴ Wiring Capacity: 0.5-2.5mm²
- ∴ Cat. Number: **31070**




Cable connector IP68


- ∴ Rated operational voltage: AC250V
- ∴ Rated operational Ampere(A): ≤30A
- ∴ Material: flame retardant/Anti UV nylon(PA66)
- ∴ Crimping terminals: Nickel-plated brass
- ∴ Withstand voltage (normal temperature): 3KV
- ∴ Operating temperature range: -40°C~+105°C
- ∴ Wiring Capacity: 0.5-2.5mm²
- ∴ Cat. Number: **31072**




ADDITIONAL INFORMATION »



98HELIOS20SEN




This luminaire contains built-in LED lamps.



The lamps cannot be changed in the luminaire.

874/2012



Catalogue number	Barcode	Packing/Box (pcs)
98HELIOS20SEN	3800131208088	1/20
98HELIOS30SEN	3800131208903	1/10
98HELIOS50SEN	3800131208910	1/10

